

AX-S™ Recessed

Frame & Cover

300mm x 300mm

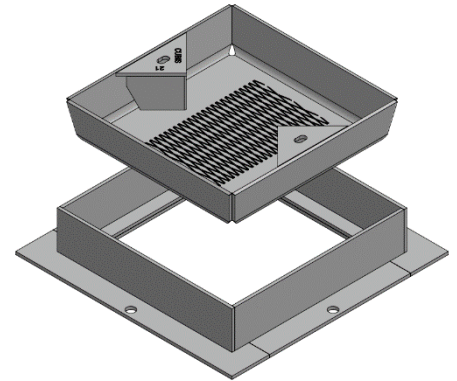


Product Description

AX-S™ Recessed covers offer a high-quality, safe to use, value for money solution which when installed offers security of the assets below. Available in a wide range of standard and bespoke cover sizes, Recessed multi-cover units offer options in bespoke security and badging.

Frame Details

Clear opening:	300 x 300mm	Including riser:	N/A
External dimension:	372 x 372mm	Including beam pocket:	N/A
Including flange:	460 x 460mm	Crosspiece(s):	N/A
Depth:	86mm	Crosspiece(s) weight:	N/A
Tray depth:	75mm to accept 60mm pavior	Frame weight:	15Kg



Cover Details

Cover Type 1: 1no x 358mm x 358mm
Weight: 12 kg per cover

Overall Details

Product Code: FCRSMP-03000300-7500*B**1
Total Weight: 27 kg

Installation

The product is designed for use in footways, pedestrian areas and comparable areas, car parks or parking decks (EN124 Class A15-B125).

Key Features

- Easy slide out covers
- No inherent scrap value
- Anti-slip design



Scan for access to
technical documents library

FCRS-300x300x75-B-1 V.01 24/02/23