

COST SAVING USING KELTSTONE v NATURAL STONE



Excluding VAT

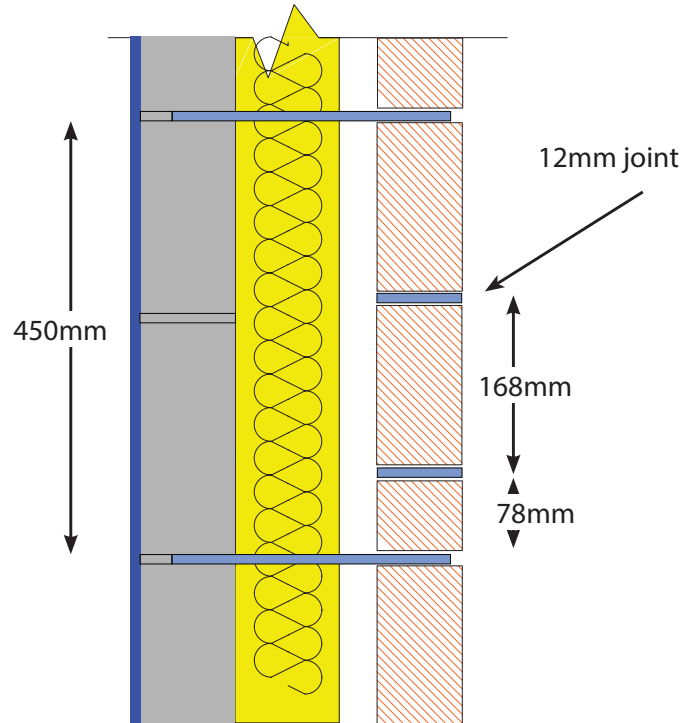
Cost Per m²

KETSTONE CAVITY WALL 50m²	50	€9,667.00	€193.34
NATURAL STONE CAVITY WALL 50m²	50	€16,227.00	€324.54

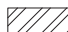

Area m2	Cost saving on area	Ketstone Cavity Wall	Natural Stone Cavity Wall
5	€656.00	€966.70	€1,622.70
10	€1,312.00	€1,933.40	€3,245.40
15	€1,968.00	€2,900.10	€4,868.10
20	€2,624.00	€3,866.80	€6,490.80
25	€3,280.00	€4,833.50	€8,113.50
30	€3,936.00	€5,800.20	€9,736.20
35	€4,592.00	€6,766.90	€11,358.90
40	€5,248.00	€7,733.60	€12,981.60
45	€5,904.00	€8,700.30	€14,604.30
50	€6,560.00	€9,667.00	€16,227.00

Keltstone construction

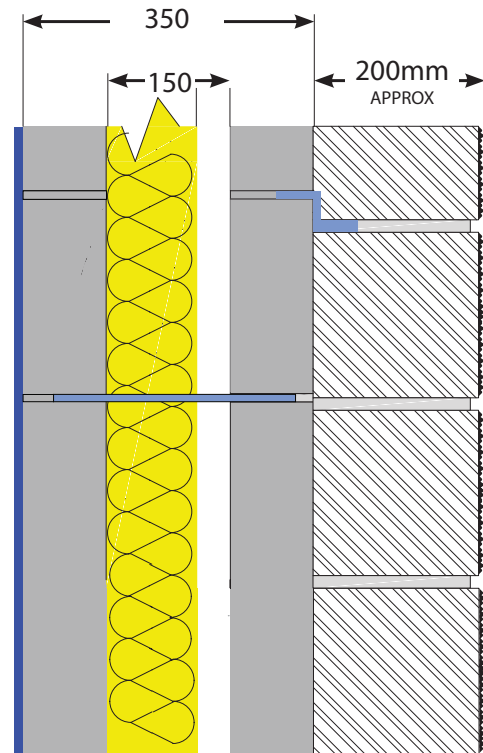
-  Roadstone Keltstone Walling
-  440 x 215 100 Roadstone Standard Blocks



Natural Stone construction

-  Sandstone / Limestone
-  440 x 215 100 Roadstone Standard Blocks

215mm



Costings in the above table were prepared independently by MMC Quantity surveyors in December 2022.
Please note that the above rates are indicative rates and should not be used as definitive rates for any costing exercise.

BENEFITS OF USING KELTSTONE

- > Substantial cost saving
- > Natural Stone
- > Maintenance free
- > Aesthetically pleasing
- > Easy to build
- > Do not need a Stone Mason
- > Faster to build
- > 2 Colour options
- > Suitable for commercial & domestic projects
- > Suitable for cavity walls
- > Suitable for boundary walls
- > Courses to 450mm to match wall ties in cavity walls
- > Readily available
- > Self capping option for boundary walls
- > Compressive Strength 20N/mm²